

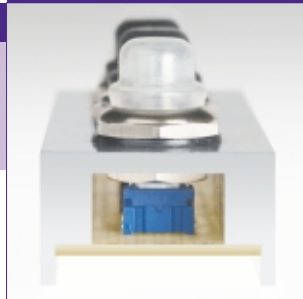
mec

aquamec

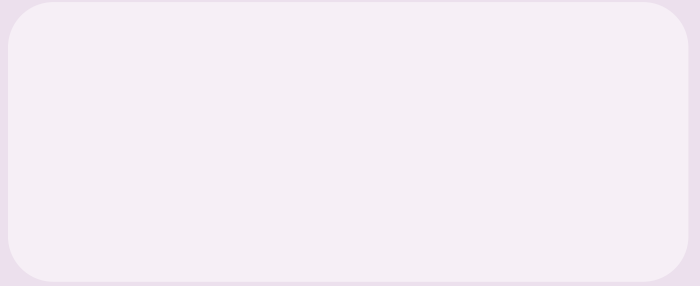
The aquamec range offers a modular front panel sealing solution as the silicone sealing boot protects the switch and electronics against contamination, water and dust.

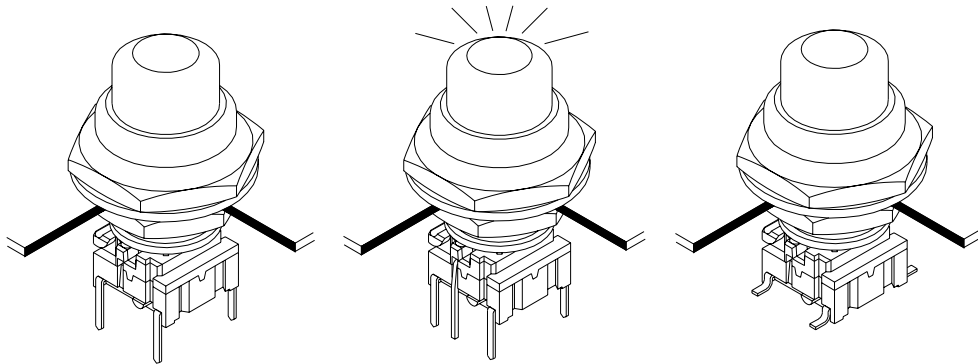
The sealing boot and the cap are available in black or transparent giving the designer many opportunities including illumination, protected legends or a combination of both.

The switch is IP67M rated, has a lifetime of 10 million cycles and is available for surface or through-hole mounting.



Distributor



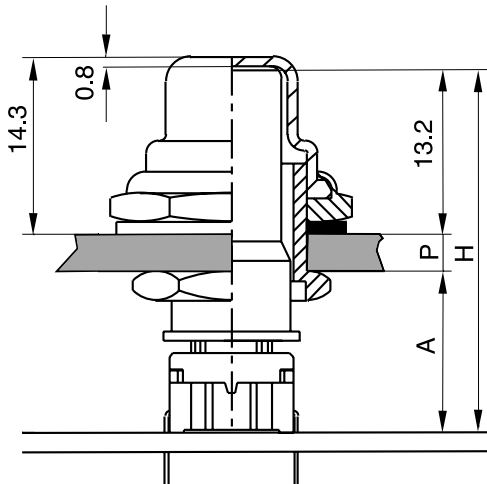


Specifications switches:

- through-hole or SMD
- 50mA/24VDC
- single pole/momentary
- 10.000.000 operations life time
- IP67 sealing
- temperature range:
low temp: -40/+115°C
high temp: -40/+160°C

Specifications Sealing Boot:

- Operating temperature: -40°/+85°
- sealing: IP67
- sealing life time: 2.000.000 operations
- material: silicone



H= A+P+13.2

This leaves nominal 0.3 mm clearance between the top of the cap and the inner side of the sealing boot to accomplish assembly tolerances. **A** can be chosen between 10 -13 mm, we recommend 10 mm to reduce building height and optimize cap guidance.

A	P	CAP	H	BUSHING
10.0	1.0	AQCXX-24.2	24.2	AQN-0.5
10.0	2.0	AQCXX-25.2	25.2	AQN-0.5
10.0	3.0	AQCXX-26.2	26.2	AQN-2.5
10.0	4.0	AQCXX-27.2	27.2	AQN-2.5

Cap is available in black (09) or transparent (11).
Dimension H is the overall height of the switch+cap.
Bushing AQN-0.5 accepts panel thickness (P) 0.5-2.5 mm.
Bushing AQN-2.5 accepts panel thickness (P) 2.5-4.0 mm.
Panel cut out ø 12.0 ±0.2

HOW TO ORDER

3 F	<input type="checkbox"/>	<input type="checkbox"/>	+	AQN	-	<input type="checkbox"/>	+	AQC	<input type="checkbox"/>	-	<input type="checkbox"/>	+	AQB01	<input type="checkbox"/>	<input type="checkbox"/>
Switch	Mounting	L 6 low temp.		Bushing		Panel:		Cap:			Overall height		Sealing Boot, incl. sealing ring		
	T through-hole S surface mount	H 9 high temp.				0.5 0.5-2.5 mm 2.5 2.5-4.0 mm		black 0 9 transparent 1 1			24.2 25.2 26.2 27.2		Black 0 9 Transparent 1 1		

3 F	<input type="checkbox"/>	<input type="checkbox"/>	+	AQN	-	<input type="checkbox"/>	+	AQC	<input type="checkbox"/>	-	<input type="checkbox"/>	+	AQB01	<input type="checkbox"/>	<input type="checkbox"/>
Switch	Mounting	L 6 low temp.		Bushing		Panel:		Cap:			Overall height		Sealing Boot, incl. sealing ring		
	T through-hole S surface mount	H 9 high temp.				0.5 0.5-2.5 mm 2.5 2.5-4.0 mm		black 0 9 transparent 1 1			24.2 25.2 26.2 27.2		Black 0 9 Transparent 1 1		
				LED											
				00 blue											
				20 green											
				40 yellow											
				80 red											
				20 40 green/yellow											
				80 20 red/green											
				80 40 red/yellow											

Ordering example: AQB0109+AQC09-27.2+AQN-2.5+3FTL6