

Toggle & Breaker Boots

For Toggle or Push-button Actuators

Typical Applications:

- Machine Tools
- Food Equipment
- Sporting Equipment
- Medical Equipment
- Transportation
- Industrial
- Marine



SPECIFICATIONS

Material: Rubber Seal, Silicone Rubber

Mounting Nut: Brass

Operational Cycles: 50k typ.

Temperature Range: -40° to +400° F

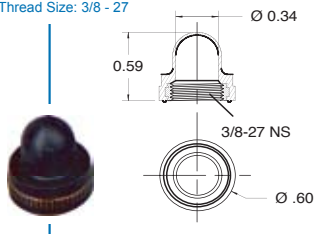
Resistant to: Salt Spray, Sunlight, Fungus,
Weather, Most Acids and Lubricating Oils



These rubber boots are made from a Flame Retardant (UL94HB) recognized high tear strength silicone rubber compound bonded to a brass mounting nut. At the external base of the bushing assembly is a rubber flange that forms a watertight seal against the mounting panel.

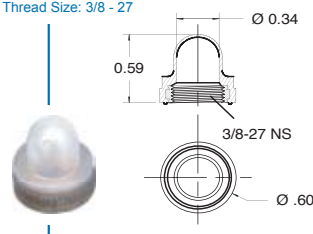
PUSH-BUTTON BREAKER BOOT

PART NUMBER:
WB-B7B-00-000-00
Thread Size: 3/8 - 27



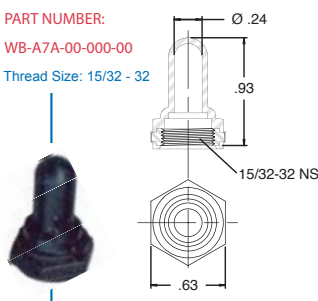
PUSH-BUTTON BREAKER BOOT

PART NUMBER:
WB-B3B-00-000-00
Thread Size: 3/8 - 27



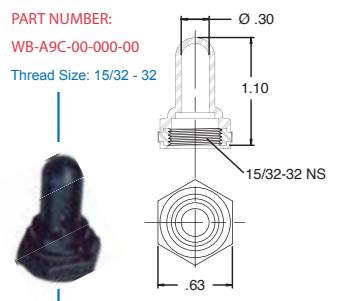
TOGGLE SWITCH/ BREAKER BOOT

PART NUMBER:
WB-A7A-00-000-00
Thread Size: 15/32 - 32



TOGGLE SWITCH/ BREAKER BOOT

PART NUMBER:
WB-A9C-00-000-00
Thread Size: 15/32 - 32



SOLiCo
Sorenson Lighted Controls, Inc.

1.800.275.7089 • FAX: 860.527.6047 • www.solico.com
• 75 Locust Street, Hartford CT 06114 •