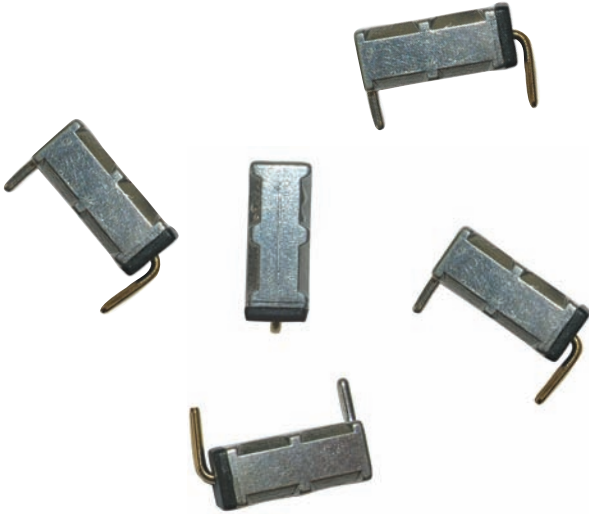


Shock / Vibration Switch

Normally Open - Horizontal Mount PCB



RS-RUS-00-000-BB

Specifications

1. Contact Rating: 0.4VA max. @20V max. AC or DC
2. Contact Resistance: < 5 ohms typ. (initials); 10 ohms typ. (end of life)
3. Temperature Range: -25°C to +85°C (operating)
-40°C to +85°C (storage)
4. Life: 100,000 cycles typ.
5. Solderability: 260°C for 5 – 0.5 seconds
6. Patent: Pending

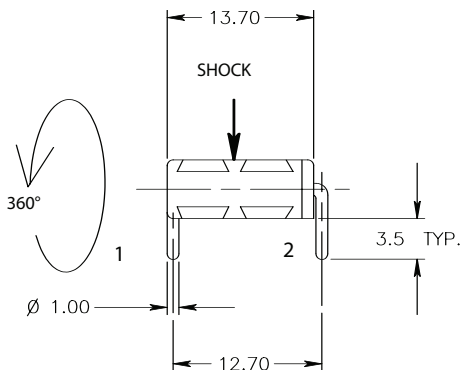
Materials

1. Housing/Terminal # 1: Zinc Alloy, Tin Plated
2. End Cap: High-Temp Polyamide, 30%GF, UL94-V0
3. Terminal/Contact # 2: Copper Alloy, Gold Plated over Nickel
4. Contact Spring: Stainless Steel Nickel plated

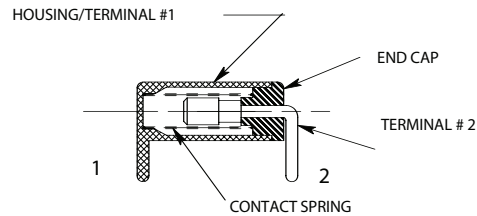
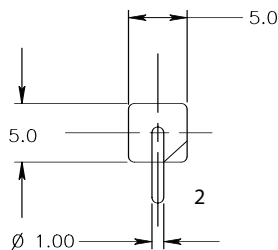
* Mercury Switch Alternative

Applications

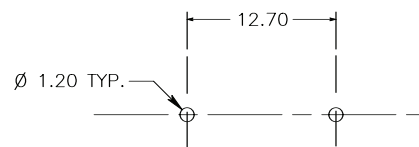
- | | |
|-------------------|-------------------|
| Alarm Devices | Meters |
| Heating Equipment | Appliances |
| Games | Medical Equipment |
| Vending Machines | Handheld Devices |
| Seismic Equipment | |



NORMALLY OPEN CIRCUIT
CLOSED WHEN SHOCKED ALONG
THE RADIAL "Y" AXIS



CROSS SECTION



P.C. B LAYOUT