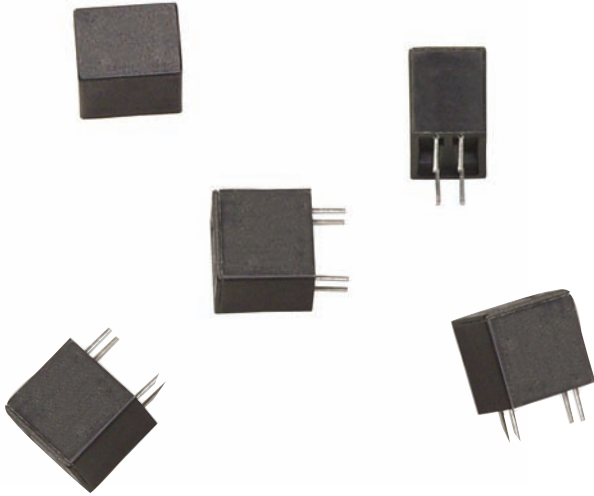


Vibration - Optical Switch

For Vertical Mount PCB / Vibration in any Axis Actuates the Switch



RV-RUB-00-000-NB

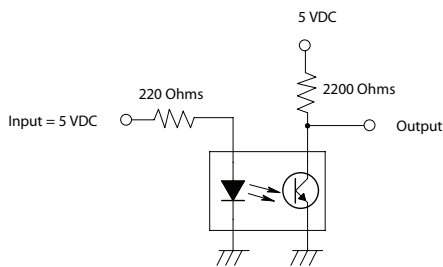
Materials & Specifications

1. Housing: Glass-filled Polyamide, UL94-V0
2. Photo Trans: Silicon Photo Transistor
3. Base: Glass-filled Polyamide, UL94-V0
4. Housing, glass ball: Copper alloy, Nickel plated
5. Ball: Glass
6. IR Diode Infrared LED
7. Terminals: Tinned
8. Temperature range: -25°C to +85°C (operating)
-40°C to +85°C (storage)
9. Life: 100,000 hours typ.
10. Solderability: Lead Free wave soldering
260 –5°C for 5 –0.5 seconds
11. Actuation Character: Vibration in any position actuates the switch (*Battery save function*)
12. Patent pending

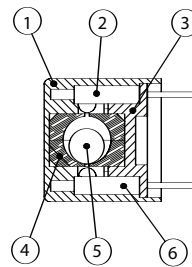
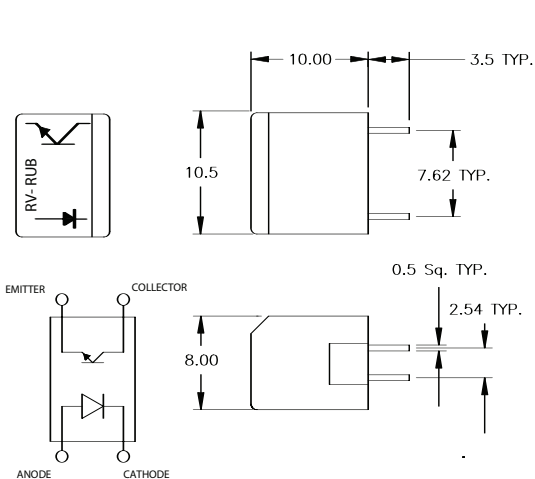
* Mercury Switch Alternative

Applications

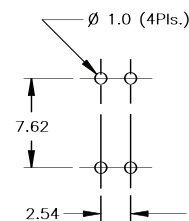
- | | |
|-------------------|-------------------|
| Alarm Devices | Meters |
| Heating Equipment | Appliances |
| Games | Medical Equipment |
| Vending Machines | Handheld Devices |
| Seismic Equipment | Motion Detectors |



Typical Circuit



CROSS SECTION



PC BOARD LAYOUT

ELECTRICAL CHARACTERISTICS (Ta = 25°C)

Items	Symbols	Min.	Max.	Typ.	Unit	Conditions
INPUT						
Forward Voltage	Vf	-	1.2	1.2	V	If = 20mA
Reverse Current	Ir	-	-	10.0	µA	Vr = 5V
COUPLED						
Output Current	Ic	0.5	5	-	mA	Vce = 5V