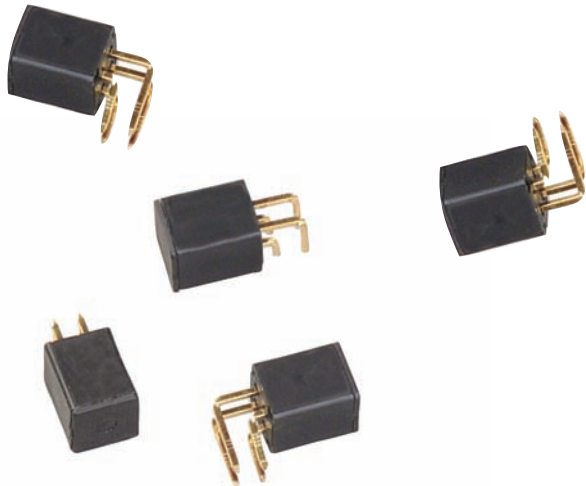


Roller Ball - Tilt Switch

Tilt Angle: 45° Right Angle PCB Mount



RM-RUF-45-000-BB

Specifications

1. Contact Rating: 0.4VA max. @ 20V max. AC or DC
2. Contact Resistance: < 5 ohms typ. (initial); 10 ohms typ. (end of life)
3. Insulation Resistance: 1000 MegOhms (min) @ 100VDC
4. Dielectric Strength: 500VDC (min) for 1 minute
5. Temp. Range: -25°C to +70°C (operating)
-40°C to +85°C (storage)
6. Life: 100,000 cycles typ.
7. Soldering Spec: Lead Free Wave Soldering
260°C -5°C for 5 -0.5 seconds
8. Patents: Pending

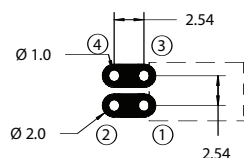
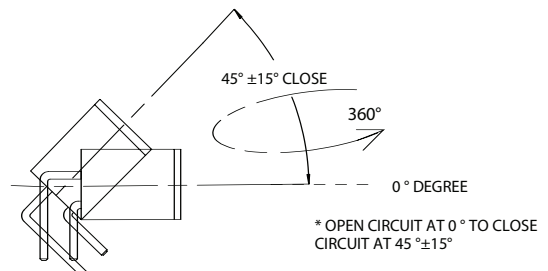
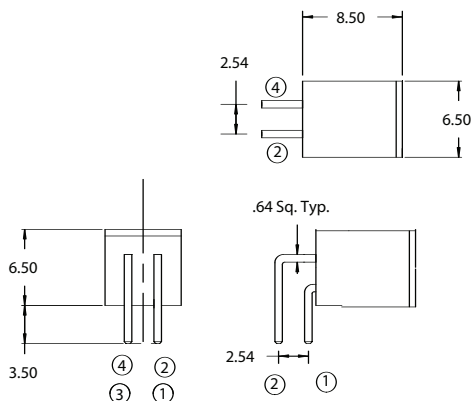
Materials

1. Body & Cover: Polyamide: PA66-UL94-V0
2. Terminals: Copper Alloy C2700, Gold plate over Nickel plate
3. Contact Ball: Copper Alloy C2600, Gold plate over Nickel plate

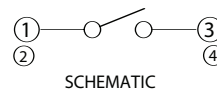
* Mercury Switch Alternative

Applications

- | | |
|-------------------|-------------------|
| Alarm Devices | Meters |
| Heating Equipment | Appliances |
| Games | Medical Equipment |
| Vending Machines | Handheld Devices |
| Seismic Equipment | |



PC BOARD LAYOUT



SCHEMATIC

