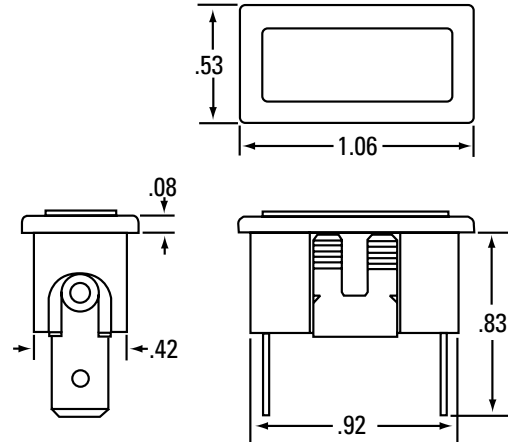
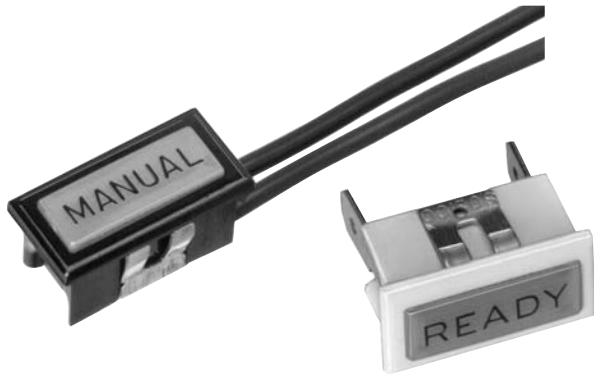


12

- Snap fits into 0.940" x 0.440" panel cutout
- Incandescent and neon illumination
- Dummy (hole plugs) available

SPECIFICATIONS

Body Material:	Polycarbonate	Panel Thickness:	0.031" to 0.093"
Lens Material:	Polycarbonate	Certifications:	See Page 1
Wire Gauge:	18 ga.		



Series	Lamp			Termination		Base		Bezel		Lens			
XX	XX	-	X	-	X	-	X	-	XXX	X	0		
12	Voltage	Type	Code	Style	Code	Color	Code	Finish	Code	Style	Code	Color	Plain
	N/A	DUMMY	00	N/A	0	White	1	None	0	Rectangular Translucent	471	Red	1
	6	INCAND	32	6" Wire	1	Black	2	Black ¹	3	Rectangular Diamond	473	Amber	2
	14	INCAND	35	.187 Tabs	3							Clear	3
	28	INCAND	39	.250 Tabs	4							Green	4
				Special	X							Blue	5
	125	NEON	50									White	6
	250	NEON	52									Black	7
		Special	XX									Color	Marked
												Red	A
												Amber	B
												Clear	C
												Green	D
												Blue	E
												White	F

White is Translucent
Clear is Transparent

ADDITIONAL OPTIONS AVAILABLE:

Contact Factory

1. Metal Bezel