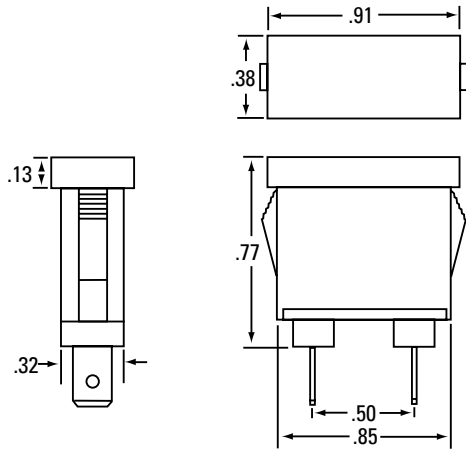
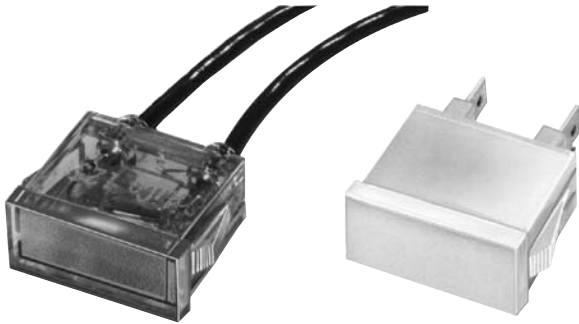


# 32

- Snap fits into .330" x .865" panel cutout
- Body and lens are one piece design
- Incandescent and neon illumination

### SPECIFICATIONS

Body Material:	Polycarbonate	Wire Strip	1/2"
Lens Material:	Polycarbonate	Panel Thickness:	0.025" to 0.125"
Wire Gauge:	18 ga.	Certifications:	See Page 1



Series		Lamp		Termination		Base		Bezel		Lens				
<b>XX</b>		<b>XX</b>		-	<b>X</b>	-	<b>X</b>		<b>X</b>	-	<b>XXX</b>		<b>X</b>	<b>0</b>
32	Voltage	Type	Code	Style	Code	Color	Code	Finish	Code	Style	Code	Color	Plain	
	6	INCAND	32	6" Wire	1	N/A	0	N/A	0	Rectangular Translucent	171	Red	1	
	14	INCAND	35	.187 Tabs	3					Rectangular Frost	174	Amber	2	
	28	INCAND	39	Special	X							Clear	3	
	125	NEON	50									Green	4	
	250	NEON	52									Blue	5	
		Special	XX									White	6	
												Color	Marked	
												Red	A	
												Amber	B	
												Clear	C	
												Green	D	
												Blue	E	
												White	F	

White is Translucent  
Clear is Transparent

### ADDITIONAL OPTIONS AVAILABLE:

Contact Factory