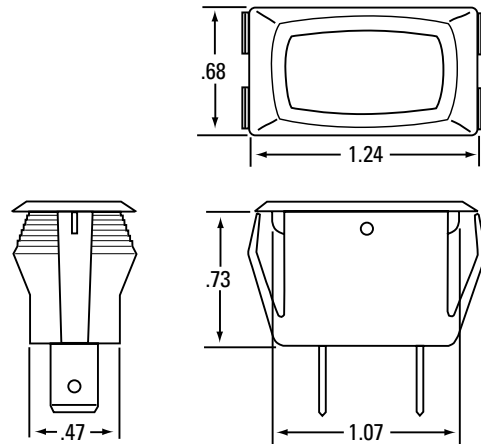


15

- Snap fits into .550" x 1.125" panel cutout
- LED, Incandescent, and neon illumination
- Matte Finish
- Dummy (hole plugs) available

SPECIFICATIONS

Body Material: Nylon
 Lens Material: Polycarbonate
 Panel Thickness: 0.025" to 0.187"
 Certifications: See Page 1



Series		Lamp		Termination		Base		Bezel		Lens				
XX		XX		-	X	-	X		X	-	XXX		X	0
15	<u>Voltage</u>	<u>Type</u>	<u>Code</u>	<u>Style</u>	<u>Code</u>	<u>Color</u>	<u>Code</u>	<u>Finish</u>	<u>Code</u>	<u>Style</u>	<u>Code</u>	<u>Color</u>	<u>Plain</u>	
	N/A	DUMMY	00	N/A	0	White	1	N/A	0	Flush Translucent ¹	121	Red	1	
	2	LED	10	.250 Tabs	4	Black	2			Flush Frost	124	Amber	2	
	6	INCAND	32									Clear ²	3	
	14	INCAND	35									Green	4	
	28	INCAND	39									Blue	5	
	125	NEON	50									White	6	
	250	NEON	52									Black	7	
		Special	XX									<u>Color</u>	<u>Marked</u>	
												Red	A	
												Amber	B	
												Clear ²	C	
												Green	D	
												Blue	E	
												White	F	

White is Translucent
 Clear is Transparent

ADDITIONAL OPTIONS AVAILABLE:

Contact Factory

1. Translucent Lens is not recommended for use with LED
2. Specify LED Color if applicable