

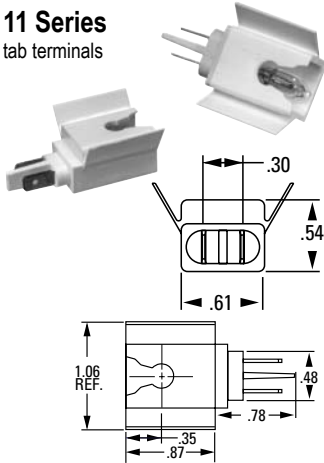
10, 11, & 60

- Lens mounts from front, indicator from behind panel
- Incandescent and neon illumination
- 10 Series has wire leads only
- 11 Series has tab terminals only
- 60 Series available with wire leads or tab terminals

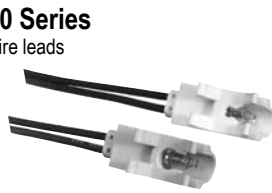
SPECIFICATIONS

Body Material:	Nylon	Wire Strip:	1/2"
Lens Material:	Polycarbonate	Panel Thickness:	0.031" to 0.78" ²
Wire Gauge:	Series 10 - 20 ga. Series 60 - 18 ga.	Certifications:	See Page 1

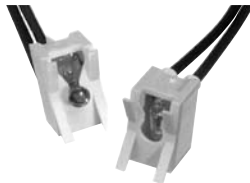
11 Series tab terminals



10 Series wire leads

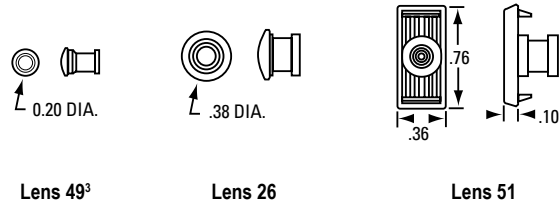


60 Series wire leads or tab terminals



Series	Lamp			Termination		Base		Bezel		Lens			
XX	XX		X	X	X	X	X	XXX	X	0			
	Voltage	Type	Code	Style	Code	Color	Code	Finish	Code	Style	Code	Color	Code
10	6	INCAND	32	6" Wire ³	1	N/A	0	N/A	0	.200 Dia Rings ³	496	N/A	0
11	14	INCAND	35	.187 Tabs ⁴	3					.375 Dia Rings	266	Red	1
60	28	INCAND	39	.250 Tabs ⁴	4					Rectangular Lines	515	Amber	2
				Special	X					No Lens ¹	490	Clear	3
	125	NEON	50							No Lens ¹	260	Green	4
	250	NEON	52							No Lens ¹	510	Blue	5
		Special	XX										

- Lens 49** mounting hole .180" dia
- Lens 26** mounting hole .312" dia.
- Lens 51** mounting hole .300" x .690"



ADDITIONAL OPTIONS AVAILABLE:

Contact Factory

1. If Ordered without lens, lens style must still be specified, Pattern and color are "0".
2. Nominal range. Alternate lenses (style 26) are available to fit thicker panels. Please consult factory.
3. Not Available on Series 11
4. Not Available on Series 10