

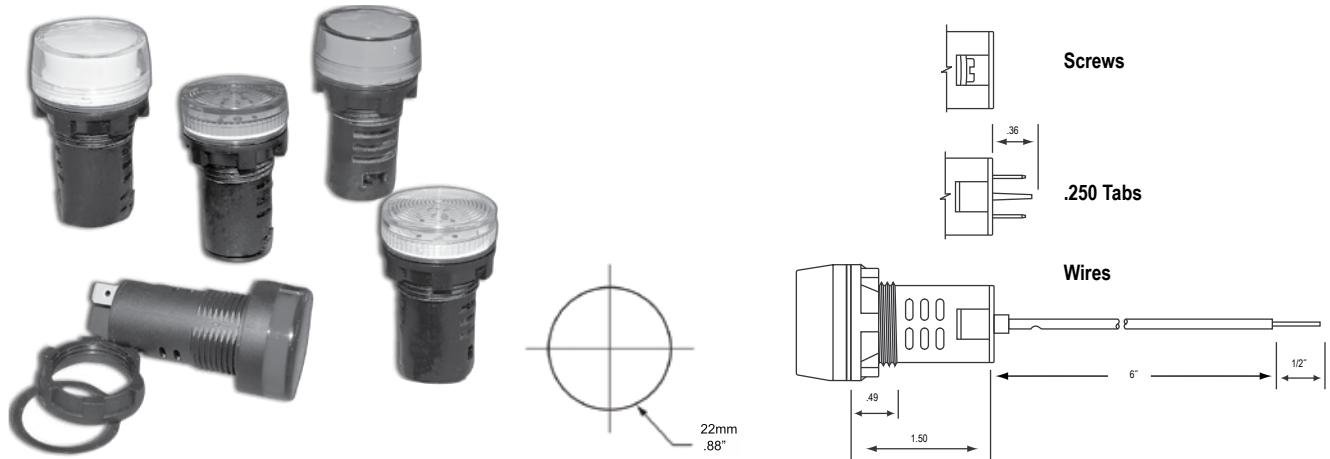
# NEW

# KF

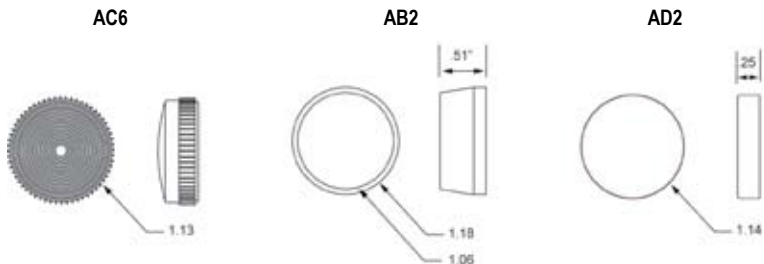
- Mounts in 22mm panel hole
- Hex nut + panel seal supplied
- Three lens styles available

### SPECIFICATIONS

Housing:	PBT w/ 20% glass	Hex Nut:	Polycarbonate
Lens:	Polycarbonate	Certifications:	See Page 1
Diffuser:	POM (polyacetal)		



Series	Lamp		Termination		Base		Bezel		Lens				
<b>XX</b>	<b>XX</b>	-	<b>X</b>	-	<b>X</b>	<b>X</b>	-	<b>XXX</b>		<b>X</b>	<b>0</b>		
KF	Voltage	Type	Code	Style	Code	Color	Code	Finish	Code	Style	Code	Color	Code
	14	LED	12	6" Wire	1	Black	2	None	0	Tapered (w/Diffuser)	AB2	Red	1
	28	LED	13	.250 Tabs <sup>1</sup>	4					Semi-Dome, Rings	AC6	Green	4
	125	LED <sup>1</sup>		Clamp						Flat Top (w/Diffuser)	AD2	Blue	5
	250	LED <sup>1</sup>		Screws	6							White	6
												Yellow	8
		Special	XX										



### ADDITIONAL OPTIONS AVAILABLE:

Contact Factory

1. Contact Factory