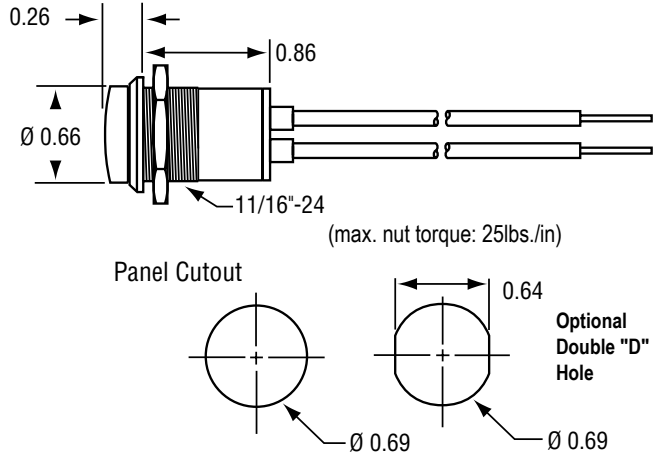


65

- Threaded mount
- LED cluster lighting
- Daylight visible
- Splashproof design
- Supplied w/ hex nut, lockwasher, and gasket

SPECIFICATIONS

Body Material:	Nylon	Wire Strip:	1/2"
Lens Material:	Polycarbonate	Panel Thickness:	0.050" to 0.25"
Wire Gauge:	20 ga.	Certifications:	See Page 1

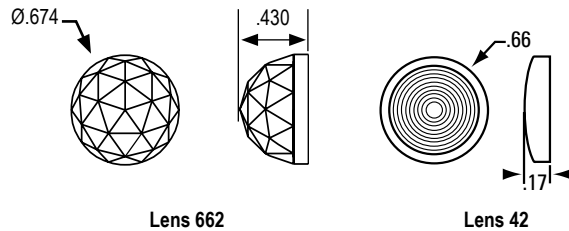


Series	Lamp			Termination		Base		Bezel		Lens			
XX	XX	-	X	-	X	X	-	XXX	X	0			
65	Voltage	Type	Code	Style	Code	Color	Code	Finish	Code	Style	Code	Color	Code
	14	LED	12	6" Wire	1	White	1	None	0	Semi-Dome Translucent	421	Red	1
	28	LED	13	.187 Tabs	3	Black	2			Semi-Dome Rings	426	Amber	2
	125	LED	15 ¹	.250 Tabs	4					Semi-Dome Rings w/ Diffuser	42A	Clear ¹	3 ^{2,3}
										Faceted Dome Translucent ⁶	661	Green	4
										Faceted Dome	662	Blue	5
										Faceted Dome w/ Diffuser	66A	White	6 ⁴
												Yellow	8 ⁵

White is Translucent
Clear is Transparent

LED Light Output (mcd)

Red	10k typ.
Green	15k typ.
Blue	7k typ.
White	12k typ.
Yellow	8k typ.



ADDITIONAL OPTIONS AVAILABLE:

Contact Factory

1. Reduced Intensity
2. Transparent
3. Specify LED color for clear lens
4. Translucent only
5. Lens 42 only
6. White Only